

Important Notice

Make sure to visit the Chiltrix documents page at www.Chiltrix.com/documents/
And verify that you are using the most recent version of this manual.

We are constantly improving our manuals as we add features/functions/ and based on feedback from customers.

CAUTION

If installation of this ceiling cassette unit requires modification or design changes to your building's structural framing, all design changes or structural work, including cutting and reinforcing ceiling joists, should be performed by a qualified structural engineer or licensed contractor. Improper cutting or reinforcement of joists can lead to structural failure, causing ceilings to sag or collapse. Consult with a qualified structural engineer to develop a safe reinforcement plan. Obtain all necessary permits and pass required inspections. The manufacturer and seller explicitly disclaim all liability for damages or injuries arising from structural modifications made during installation. SERIOUS INJURY, DEATH OR PROPERTY DAMAGE CAN RESULT FROM IMPROPER INSTALLATION.

Installation of Cassette

Installation must be carried out by qualified and trained personnel. Improper installation may lead to machine malfunctions, reduced lifespan, and even safety accidents. Installation must be carried out in accordance with effective national or local regulations.

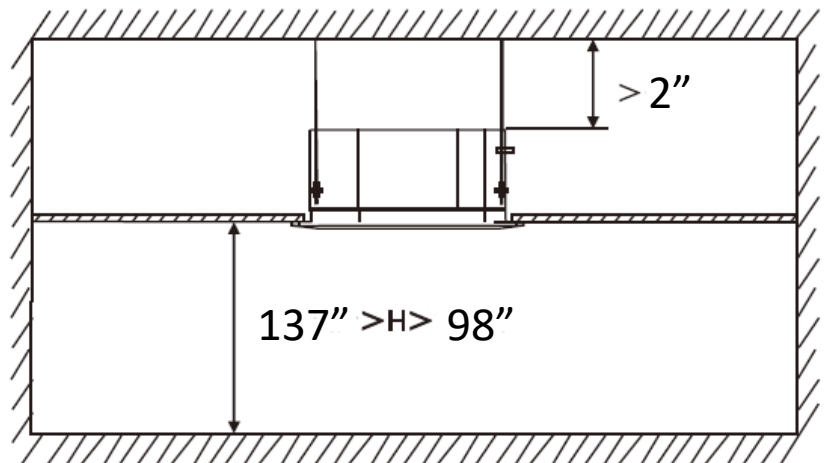
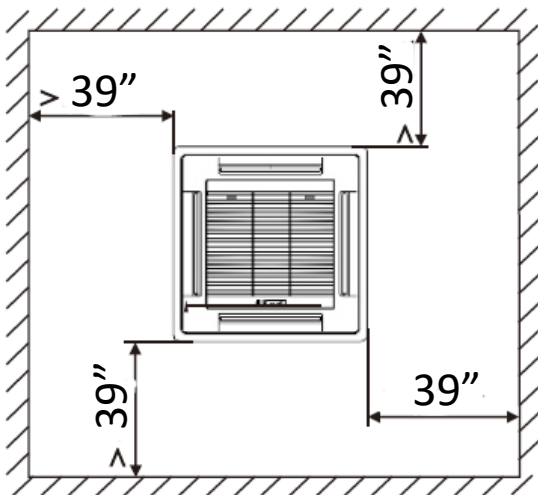
Installation diagram/Minimum Distance

The installation of Cassette fan coil units requires a certain amount of space to be reserved with walls or obstacles, which is to allow for proper air circulation and maintenance. The specific requirements are as follows:

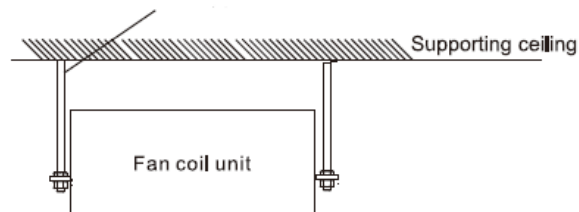
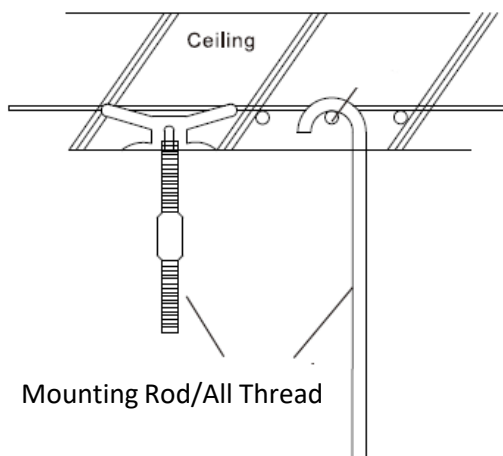
Distance from any wall greater than 39"

Distance from vertical obstruction greater than 2"

Distance from the ground greater than 98" but less than 137"



The unit should be mounted on a support that can handle 100lbs. Using a suitable bracket or all thread to suspend the unit into the ceiling. Below is a diagram of how the unit would be mounted/suspended.



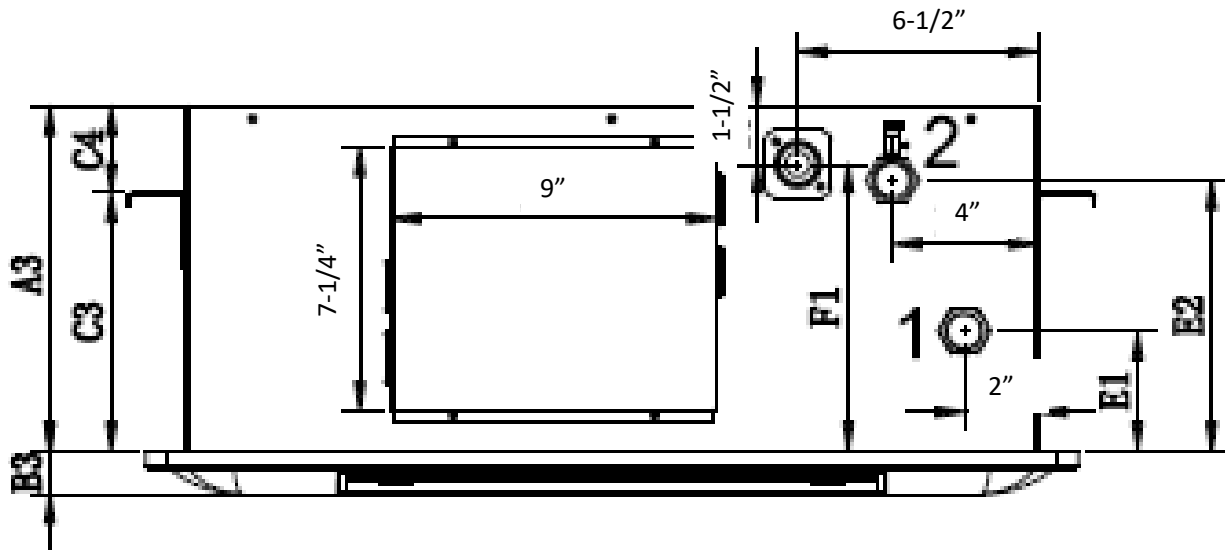
NOTE* Ceiling cassette units are normally installed in a drop ceiling. There are also options for installing ceiling cassette units into a standard residential ceiling with 10" or 12" joists with 24" or 16" centers as well. Please contact Chiltrix to discuss a joist installation design.

Cassette Template

The Cassette Fan coil will use one of the following templates/dimensions in order to mount to the rafters/studs/mounting brackets in the ceiling.

Model	A3	B3	C3	C4	E1	E2	F1
CC68	9-1/2"	1-1/8"	7-1/4"	2-1/8"	3-3/8"	7-1/2"	7-7/8"
CC100*	9-1/2"	1-1/8"	7-1/4"	2-1/8"	3-3/8"	7-1/2"	7-7/8"
CC120	9-1/2"	1-1/8"	7-1/4"	2-1/8"	3-3/8"	7-1/2"	7-7/8"
CC160*	9-1/2"	1-1/8"	7-1/4"	2-1/8"	3-1/2"	7-1/2"	7-7/8"

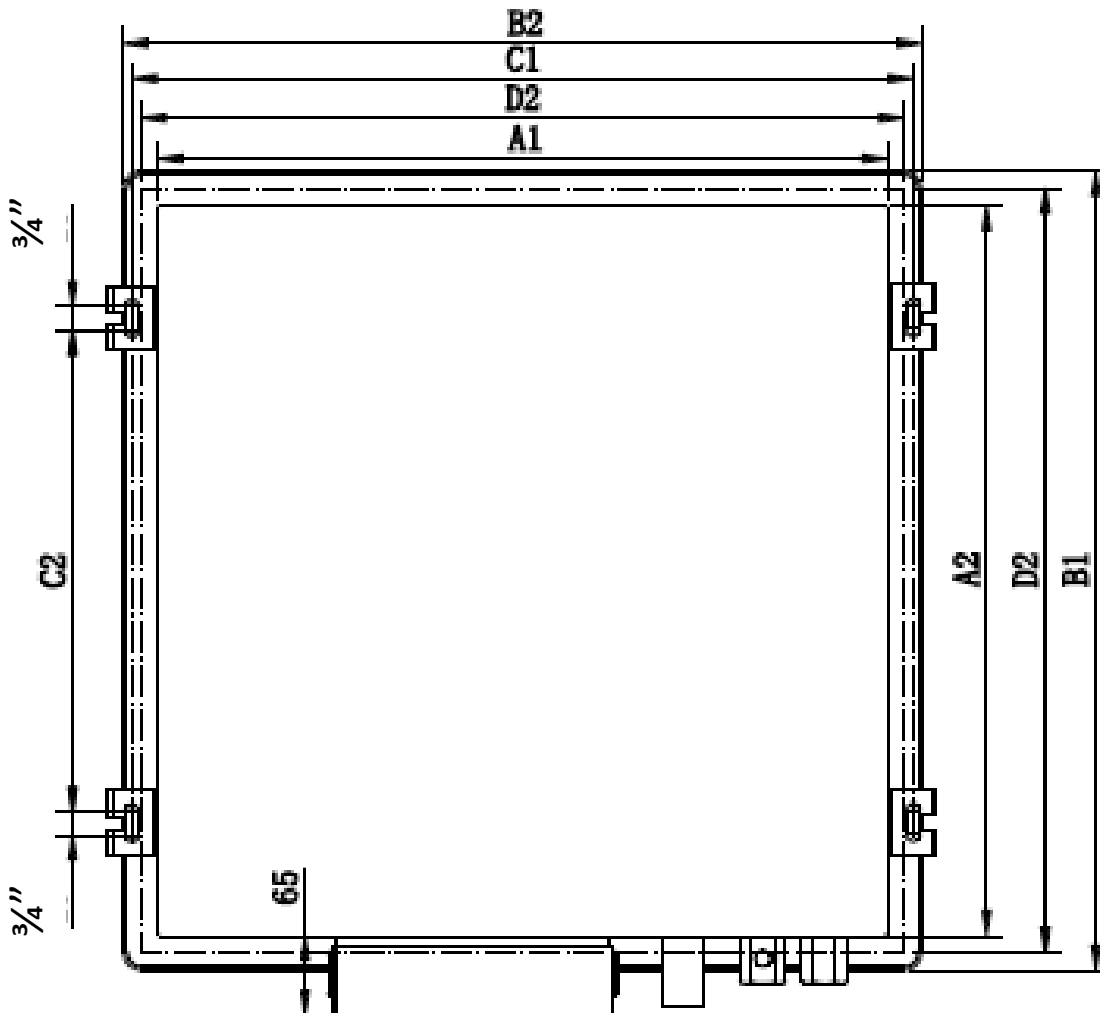
The condensate tube is 1" OD. It is a hard plastic that you can secure a hose/worm clamp onto to prevent the drain tube from sliding off.



*** The cc100 and the cc160 are not a stock item, they are both available as a special-order unit only. Please contact your sales rep to check the lead time.**

Cassette Template (continued)

Model	A1/A2	B1/B2	C1	C2	D1/D2
CC68	23-1/4"	25-5/8"	25"	15-5/8"	24-3/8"
CC100*	23-1/4"	25-5/8"	25"	15-5/8"	24-3/8"
CC120	23-1/4"	25-5/8"	25"	15-5/8"	24-3/8"
CC160*	29-1/2"	33-1/2"	31-3/8"	15-3/4"	31-7/8"



24" on center with access from the top*

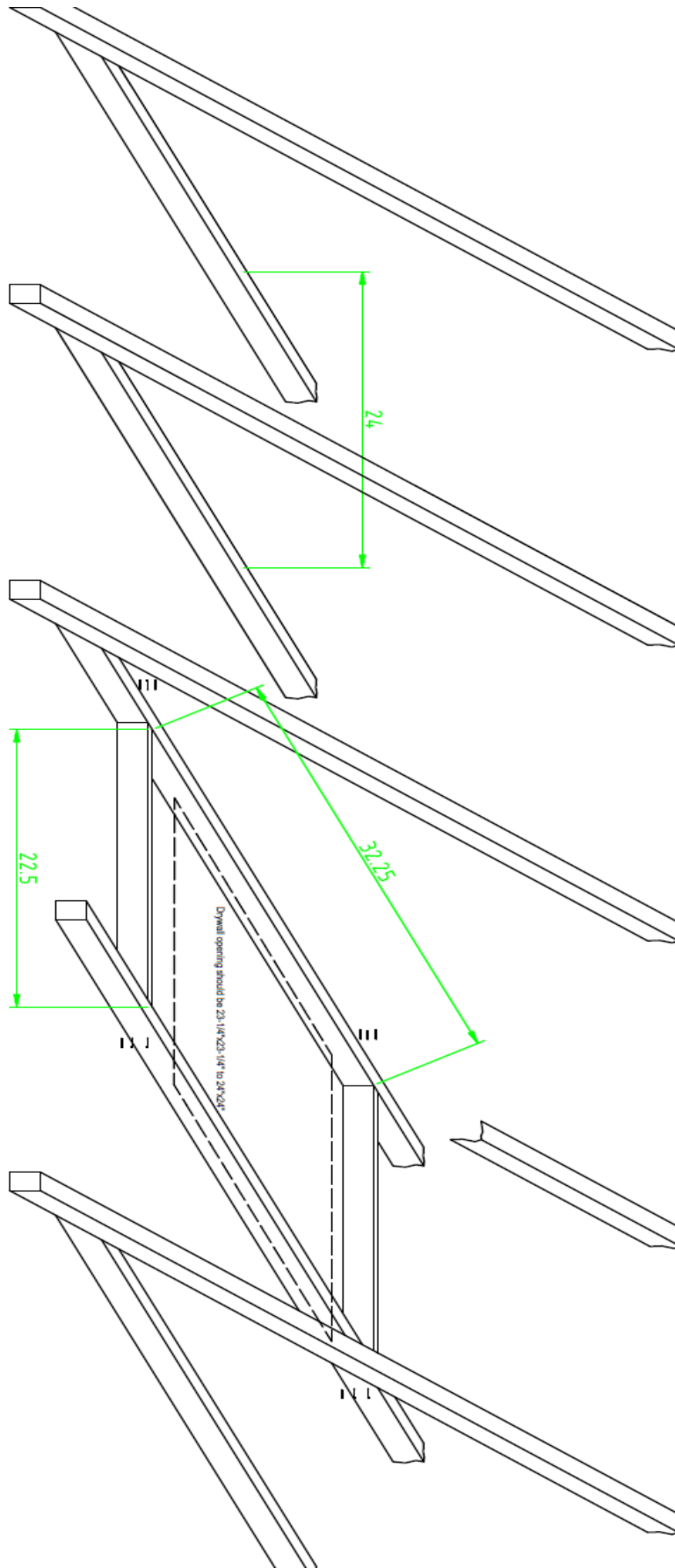
1. Make sure to read the IMPORTANT NOTICE below.
2. These are generic instructions design to serve only as a guide for qualified and licensed contractor or engineer.
3. When installing the unit in a ceiling with drywall, cut a rough opening in the drywall between the ceiling joist 23-1/4" x 23-1/4".
4. Most ceilings that are 24" on center have a Inside diameter of ~22.5", the cassette has a outside diameter of 23-1/4" so a slight planning of the joist with a sander is advised where the unit will be mounted.
5. To add some strength, a header should be added between the two joists you are mounting to, the distance between these should be 32-1/4" to allow for servicing the cassette electrical and water connections. (Diagram on next page). We suggest at least 3 nails per side per header, at least 6 nails per header. But consult your local code for any extra requirements.
6. Slide the unit in from the top and use the mounting tabs to mount the unit to the ceiling joist securely.
7. Leave a way for future access for any servicing requirements.

* **Access from the top** generally means an application where the room has an attic or other accessible area above it.

IMPORTANT NOTICE

If installation of this ceiling cassette unit requires modification or design changes to your building's structural framing, all structural work, including cutting and reinforcing ceiling joists, must be performed by a qualified structural engineer or licensed contractor. Improper cutting or reinforcement of joists can lead to structural failure, causing ceilings to sag or collapse. Consult with a qualified structural engineer to develop a safe reinforcement plan. Obtain all necessary permits and pass required inspections. The manufacturer and seller explicitly disclaim all liability for damages or injuries arising from structural modifications made during installation. **SERIOUS INJURY, DEATH OR PROPERTY DAMAGE CAN RESULT FROM IMPROPER INSTALLATION.**

24" on center with access from the top diagram



Hi-Resolution diagram located here <https://www.chiltrix.com/high-wall-and-cassette-fan-coil-units/24-inch-diagram.pdf>

IMPORTANT NOTICE

If installation of this ceiling cassette unit requires modification or design changes to your building's structural framing, all structural work, including cutting and reinforcing ceiling joists, must be performed by a qualified structural engineer or licensed contractor. Improper cutting or reinforcement of joists can lead to structural failure, causing ceilings to sag or collapse. Consult with a qualified structural engineer to develop a safe reinforcement plan. Obtain all necessary permits and pass required inspections. The manufacturer and seller explicitly disclaim all liability for damages or injuries arising from structural modifications made during installation. **SERIOUS INJURY, DEATH OR PROPERTY DAMAGE CAN RESULT FROM IMPROPER INSTALLATION.**

16" on center with access from the top

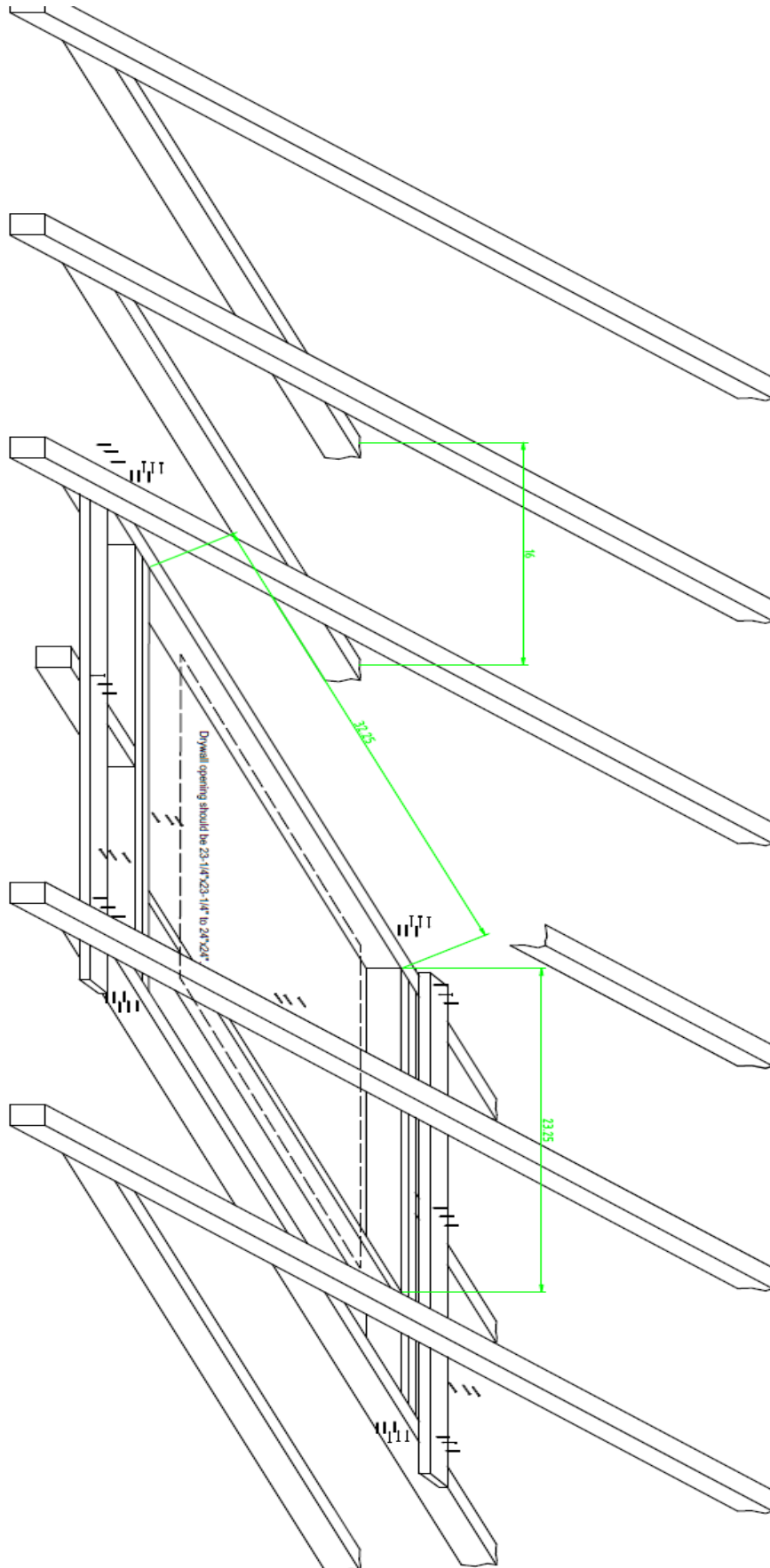
1. Make sure to read the IMPORTANT NOTICE below.
2. These are generic instructions design to serve as only a guide for qualified and licensed contractor or engineer.
3. BEFORE CUTTING ANY CEILING JOIST, MAKE SURE TO BRACE THE CENTER JOIST THAT YOU ARE CUTTING BY CONNECTING AT MIN, A 35" 2X4/2X6/2X8 (WHICH EVER CEILING JOIST THICKNESS IS ALREADY INSTALLED). NAIL INTO ALL 3 JOIST WITH THE STRINGER THEN YOU MAY CUT THE CENTER JOIST.
4. Next add 2 headers of appropriate size to the joist and secure them with at least 3 nails on both sides and the center section to the cut joist. Consult local code or a structural engineer to see if anymore bracing is needed. The distance between these should be 32-1/4" to allow for servicing the cassette electrical and water connections. (Diagram on next page). We suggest at least 3 nails per side per header, at least 6 nails per header.
5. Since you are moving the center joist over, have an inside diameter of 23-1/4" so that the unit will fit snug between the added joist and the original joist.
6. When installing the unit in a ceiling with drywall on the exposed wall, cut a rough opening in the drywall between the ceiling joist and the added ceiling joist you just installed to 23-1/4" x 23-1/4".
7. Slide the unit in from the top and use the mounting tabs to mount the unit to the ceiling joist securely
8. Leave a way for future access for any servicing requirements.

* **Access from the top** generally means an application where the room has an attic or other accessible area above it.

IMPORTANT NOTICE

If installation of this ceiling cassette unit requires modification or design changes to your building's structural framing, all structural work, including cutting and reinforcing ceiling joists, must be performed by a qualified structural engineer or licensed contractor. Improper cutting or reinforcement of joists can lead to structural failure, causing ceilings to sag or collapse. Consult with a qualified structural engineer to develop a safe reinforcement plan. Obtain all necessary permits and pass required inspections. The manufacturer and seller explicitly disclaim all liability for damages or injuries arising from structural modifications made during installation. **SERIOUS INJURY, DEATH OR PROPERTY DAMAGE CAN RESULT FROM IMPROPER INSTALLATION.**

16" on center with access from the top diagram



Hi-Resolution diagram located here <https://www.chiltrix.com/high-wall-and-cassette-fan-coil-units/16-inch-diagram.pdf>

IMPORTANT NOTICE

If installation of this ceiling cassette unit requires modification or design changes to your building's structural framing, all structural work, including cutting and reinforcing ceiling joists, must be performed by a qualified structural engineer or licensed contractor. Improper cutting or reinforcement of joists can lead to structural failure, causing ceilings to sag or collapse. Consult with a qualified structural engineer to develop a safe reinforcement plan. Obtain all necessary permits and pass required inspections. The manufacturer and seller explicitly disclaim all liability for damages or injuries arising from structural modifications made during installation. **SERIOUS INJURY, DEATH OR PROPERTY DAMAGE CAN RESULT FROM IMPROPER INSTALLATION.**